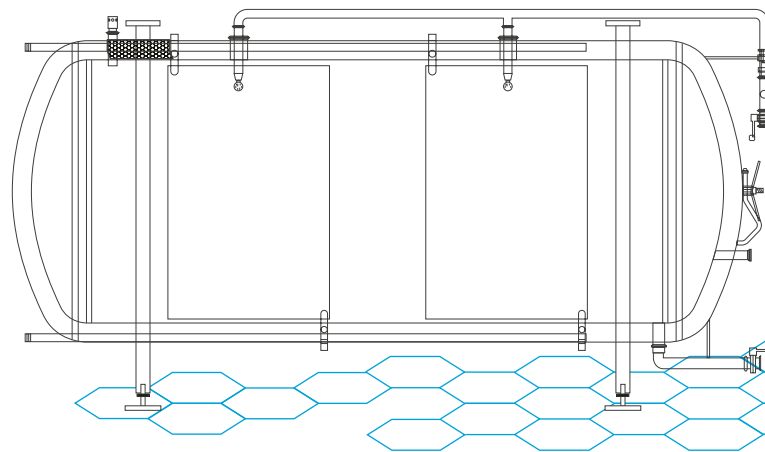
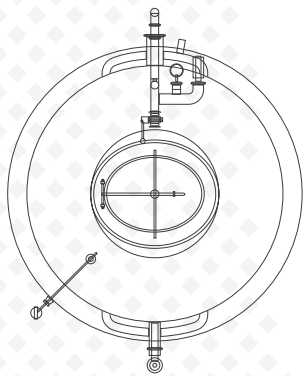


V-BREW HORIZONTAL BRITE TANK



DRAWINGS FOR ILLUSTRATIVE PURPOSES ONLY

CAPACITY

1000 L
1500 L
2000 L
2500 L
3000 L
4000 L
5000 L

PRICE

£4,501
£5,208
£5,985
£6,467
£7,009
£7,949
£9,050

Indicative price only
Does not include shipping

SPECIFICATION

Inner-Jacket (SUS304), TH=3.0mm
 External-Jacket (SUS304), TH=2.0mm
 Dish head (SUS304), TH=3.0mm
 Dish heads on both ends of tank
 Insulation: PU-thickness: 75mm
 Glycol jacket: dimpled plate placed on side
 CIP arm with cleaning ball
 Two-way pressure relief valve placed on the top of tank
 PVRV and pressure gauge placed on the CIP arm
 Side manway: 280*380mm
 Sampling port with full sanitary sample valve
 With carbonation stone
 With drain arms
 Lifting lug placed on the dish head
 PT100 Temperature sensor
 Working pressure (without PED Certificate) 0.049Mpa
 PED certification available on request